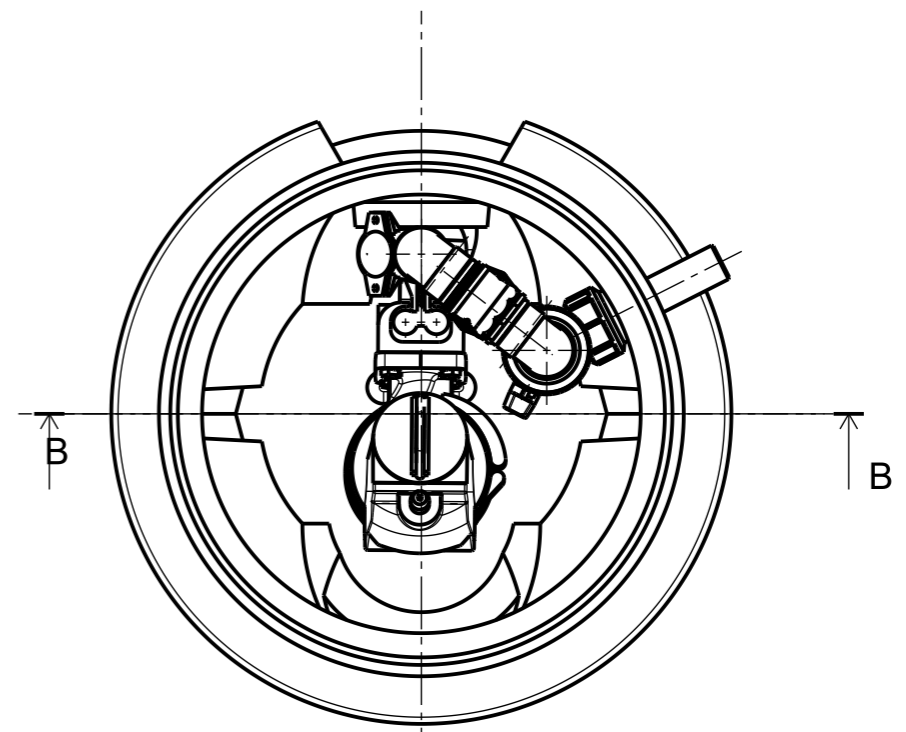


Type	Best. Nr.	VVS. Nr.	Pumpe	Styring	Dimension	Tilslutning
PUST06.20.S.A.PE.SEG	97790761	39 1385.170	SEG.40.12.E.2.50B	AutoAdapt	ø600x2000mm	Glat 50mm PE
PUST06.25.S.A.PE.SEG	97790762	39 1385.171	SEG.40.12.E.2.50B	AutoAdapt	ø600x2500mm	Glat 50mm PE



Pos.	Antal	Beskrivelse	Partnummer
9	1	Kuglekontra ventil, 1½" RF	
8	1	Flex union, 2" RF	
7	2	Snøkobling, ø50mm PE	
6	2	Låg, PE	
5	2	Kuglehane, ø50mm PVC	
4	1	Afgang glat ø50mm PE	
3	1	trykrør 1½" RF	
2	1	Guiderør ¾" RF	
1	1	SEG.40.12.E.2.50B	

\* Tilløbs-, udluftnings- og elmuffer påbores efter forholdene af entreprenøren

Basic Material No:		<p>DK-8850 BJERRINGBRO DENMARK</p> <p>As this is the property of GRUNDFOS a/s it must not be passed on to any person not authorized by GRUNDFOS or be copied or otherwise utilized by anybody without GRUNDFOS' expressed written permission.</p>	Scale:	Drawer:	Date:
Dimension of basic material:			46014	Approver:	2011-11-14
Type of basic material:			Replaced:		
Drawing type: Assembly Drawing		Description: Pust06.XX.S.A.PE.SEG		Replaced by:	
Related drawings:		Projection: 		Drawing No: 97790761	
Chg.note	Date - Init	Page: 2		of: 2	