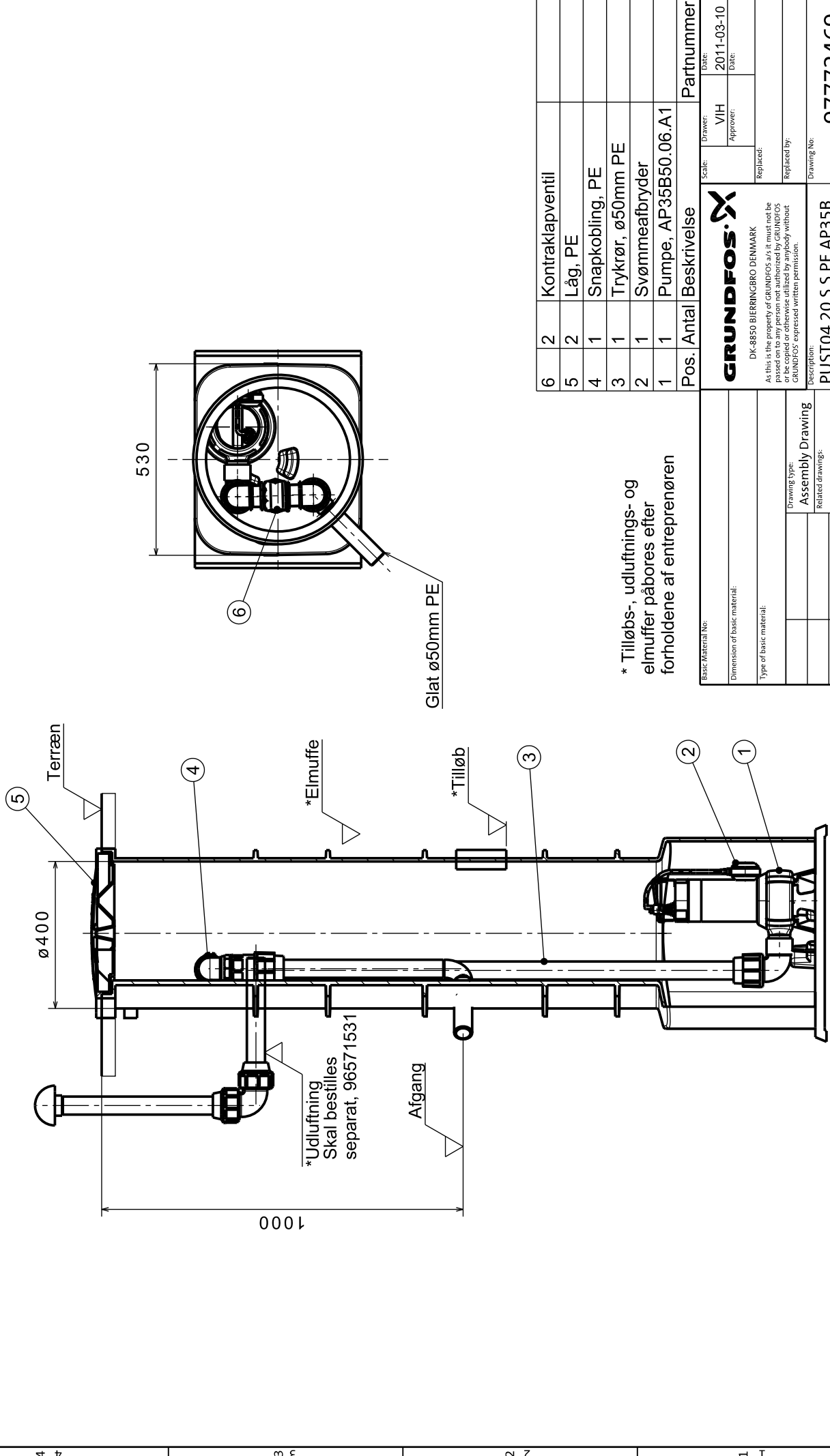


Type		VVS. Nr.		Pumpe		Styring		Dimension		Tilslutning	
PUST04.20.S.S.PE.AP35B		97772469		39 1385.063		AP35B.50.06.A1		Påbygget		Ø400x2000 Glat 50mm PE	



\* Tilløbs-, udluftnings- og elmuffe påbores efter forholdene af entreprenøren

6	2	Kontraktklapventil
5	2	Låg, PE
4	1	Snækobling, PE
3	1	Trykrør, ø50mm PE
2	1	Svømmeafbryder
1	1	Pumpe, AP35B50.06.A1
Pos. Antal	Beskrivelse	
Partnummer		

Basic Material No. \_\_\_\_\_

Dimension of basic material: \_\_\_\_\_

Type of basic material: \_\_\_\_\_

Drawing type: **Assembly Drawing**

Related drawings: \_\_\_\_\_

Projection:

Chg.note \_\_\_\_\_ Date - Init \_\_\_\_\_

**GRUNDFOS**  
DK-8850 BIERRINGBRO DENMARK

As this is the property of GRUNDFOS a/s it must not be passed on to any person not authorized by GRUNDFOS a/s. Reproduction of this drawing without GRUNDFOS' expressed written permission.

Description: **PUST04.20.S.S.PE.AP35B**

Scale: \_\_\_\_\_ Date: 2011-03-10

Replaced by: \_\_\_\_\_

Replaced by: \_\_\_\_\_

Drawing No. **97772469**

Page: 1 of 1