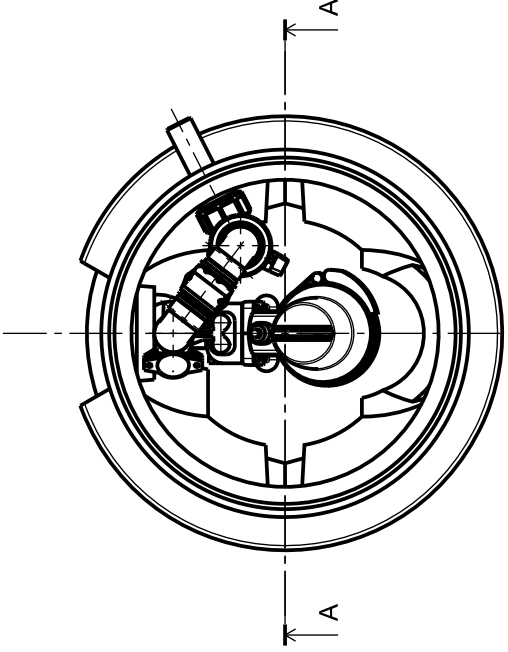
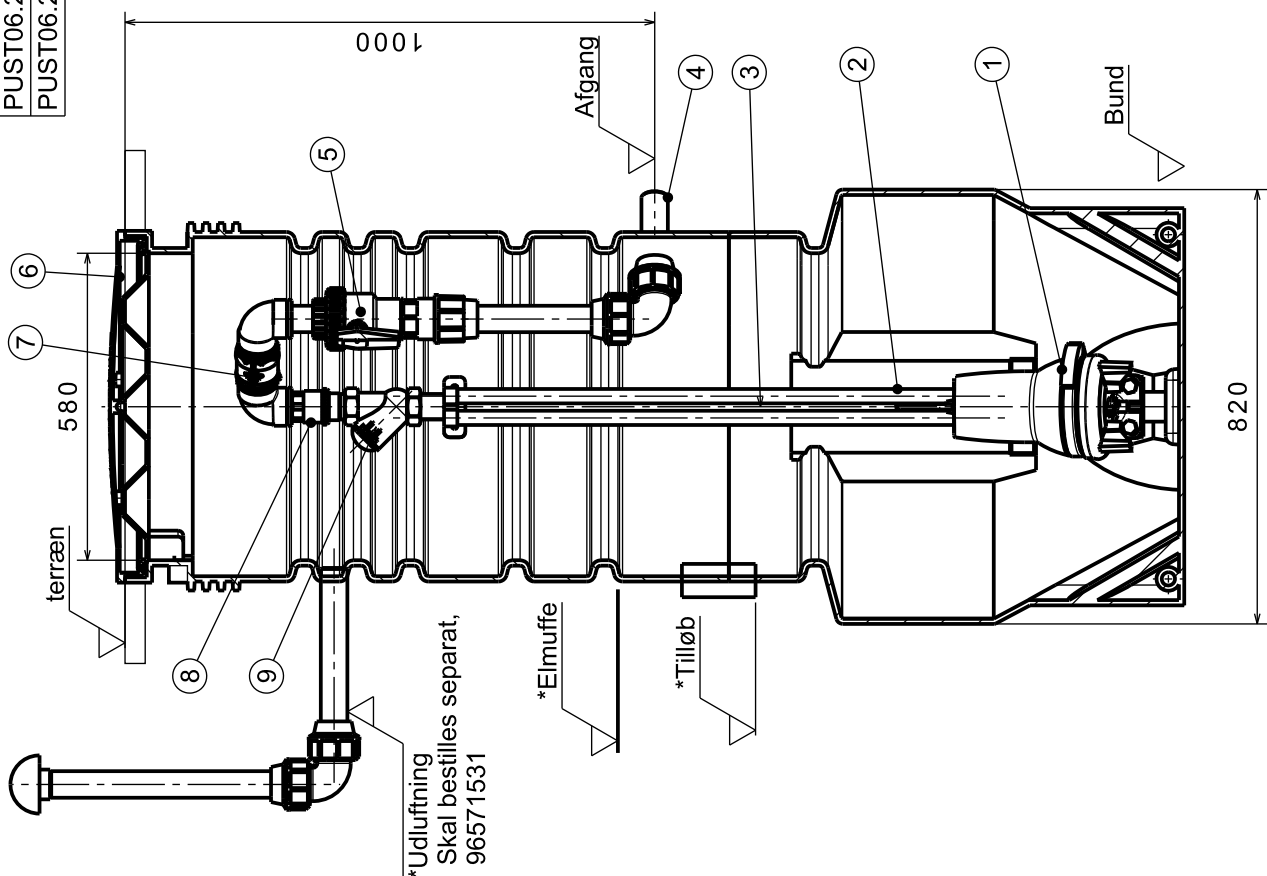


Type	Best. Nr.	VVS. Nr.	Pumpe	Styring	Dimension	Tilslutning
PUST06.20.S.A.PE.SEG	97771888	39 1385.168	SEG.40.12.2.50B	CU100	ø600x2000mm	Glat 50mm PE
PUST06.25.S.A.PE.SEG	97771889	39 1385.169	SEG.40.12.2.50B	CU100	ø600x2500mm	Glat 50mm PE



Pos.	Antal	Beskrivelse	Partnummer
9	1	Kuglekontra ventil, 1½" RF	
8	1	Flex union, 2" RF	
7	2	Snæpkobling, ø50mm PE	
6	2	Låg, PE	
5	2	Kuglehane, ø50mm PVC	
4	1	Afgang glat ø50mm PE	
3	1	trykkrør 1½" RF	
2	1	Guiderør ¾" RF	
1	1	SEG.40.12.2.50B	

* Tilløbs-, udluftnings- og elmuffer påbores efter forholdene af entreprenøren

Basic Material No.:

Dimension of basic material:

Type of basic material:

Drawing type: Part Drawing

Related drawings:

Projection:

Chg.note

Date - Init

Scale: 35204

Date: 2011-02-07

Replaced by:

Replaced:

DK-8850 BIERRINGBRO DENMARK

As this is the property of GRUNDFOS, it must not be passed on to any person not authorized by GRUNDFOS. GRUNDFOS expressed written permission.

Description: PUST06.xx.S.A.PE.SEG

Drawing No. AS 97771888

Page: 1 of 2